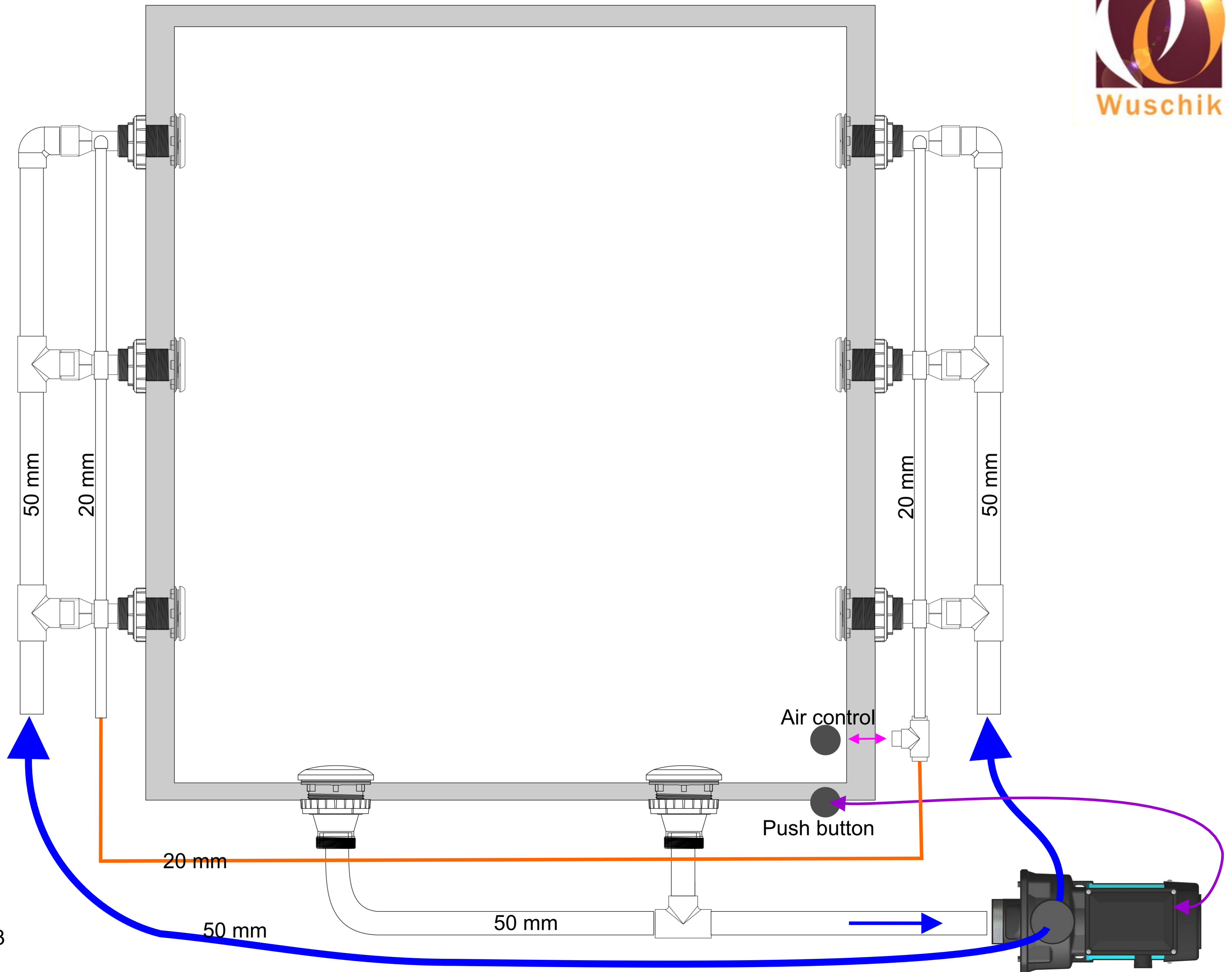
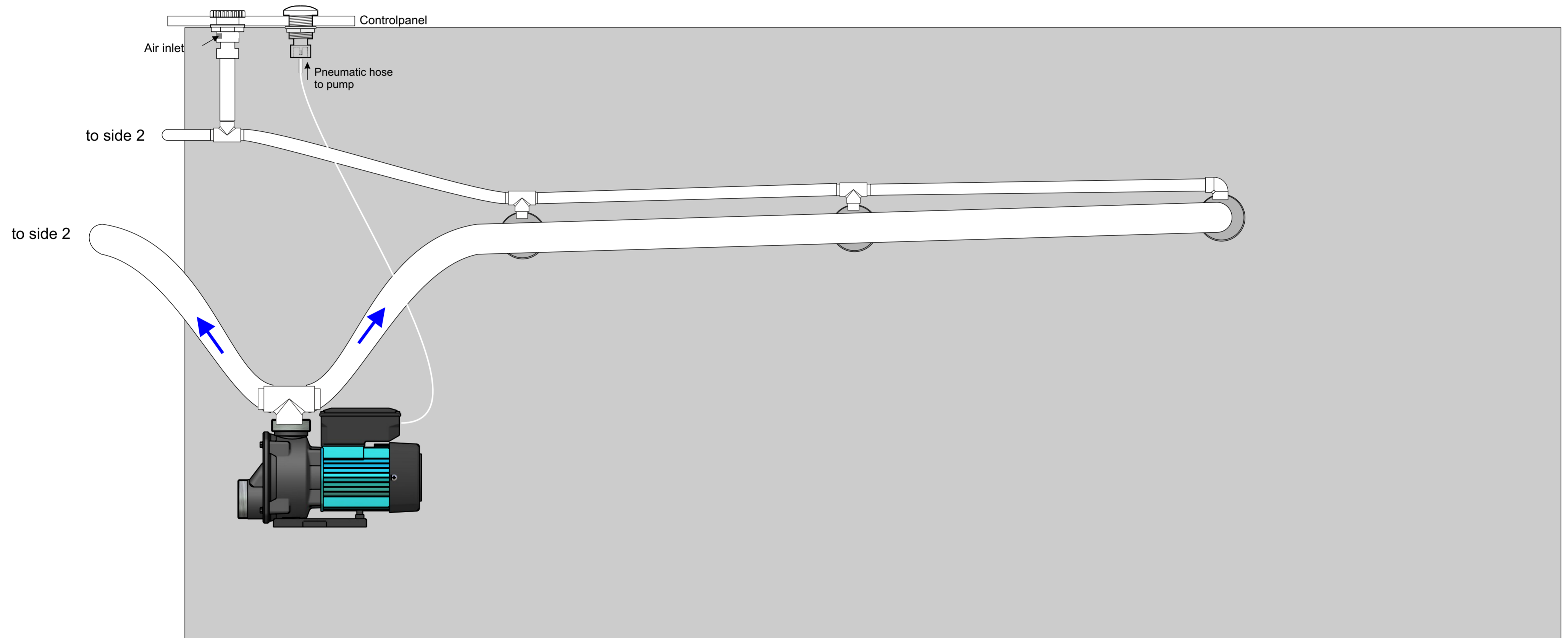


Systeme overview From Top



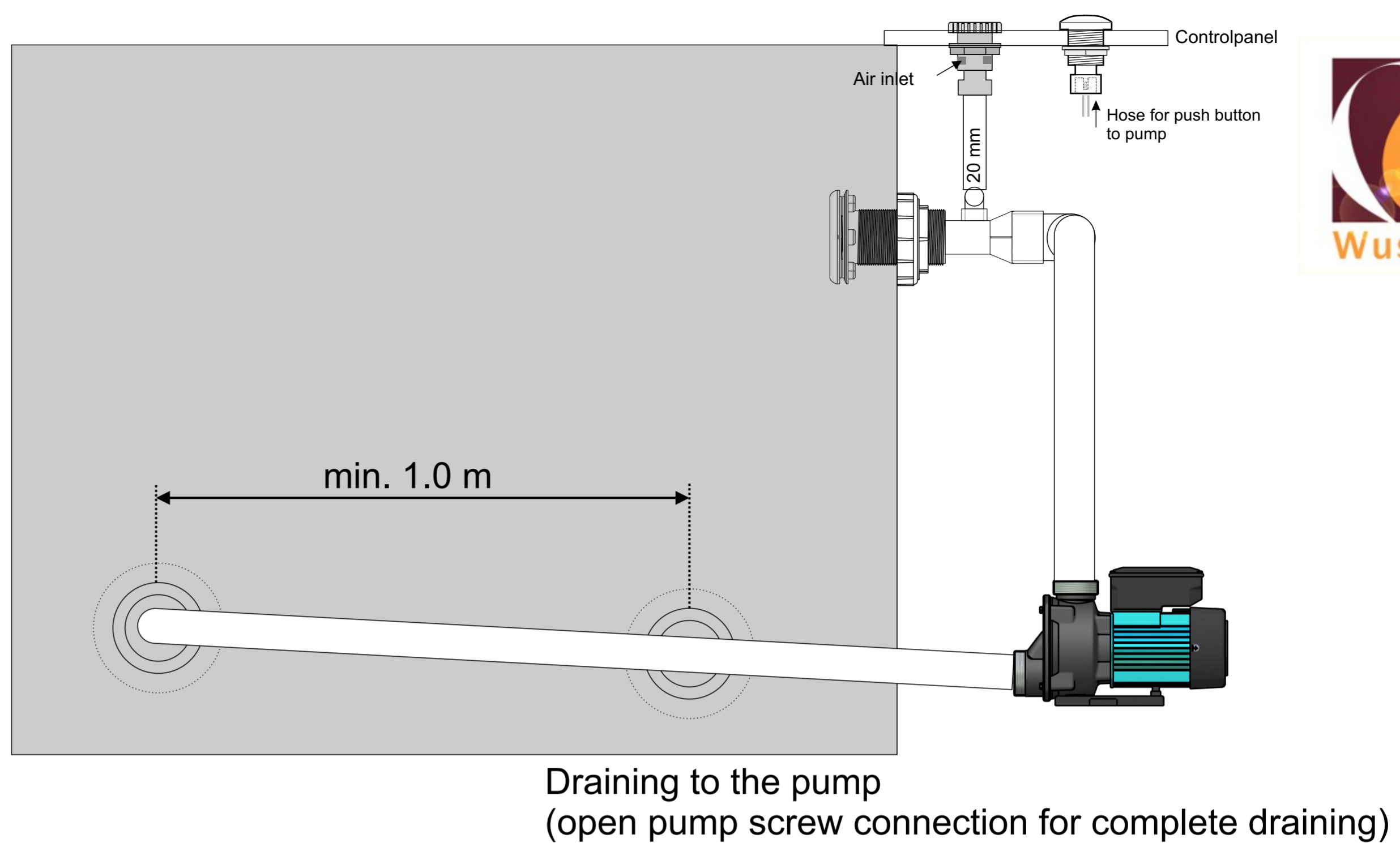
System overview

Side view piping nozzles - pump - air regulator

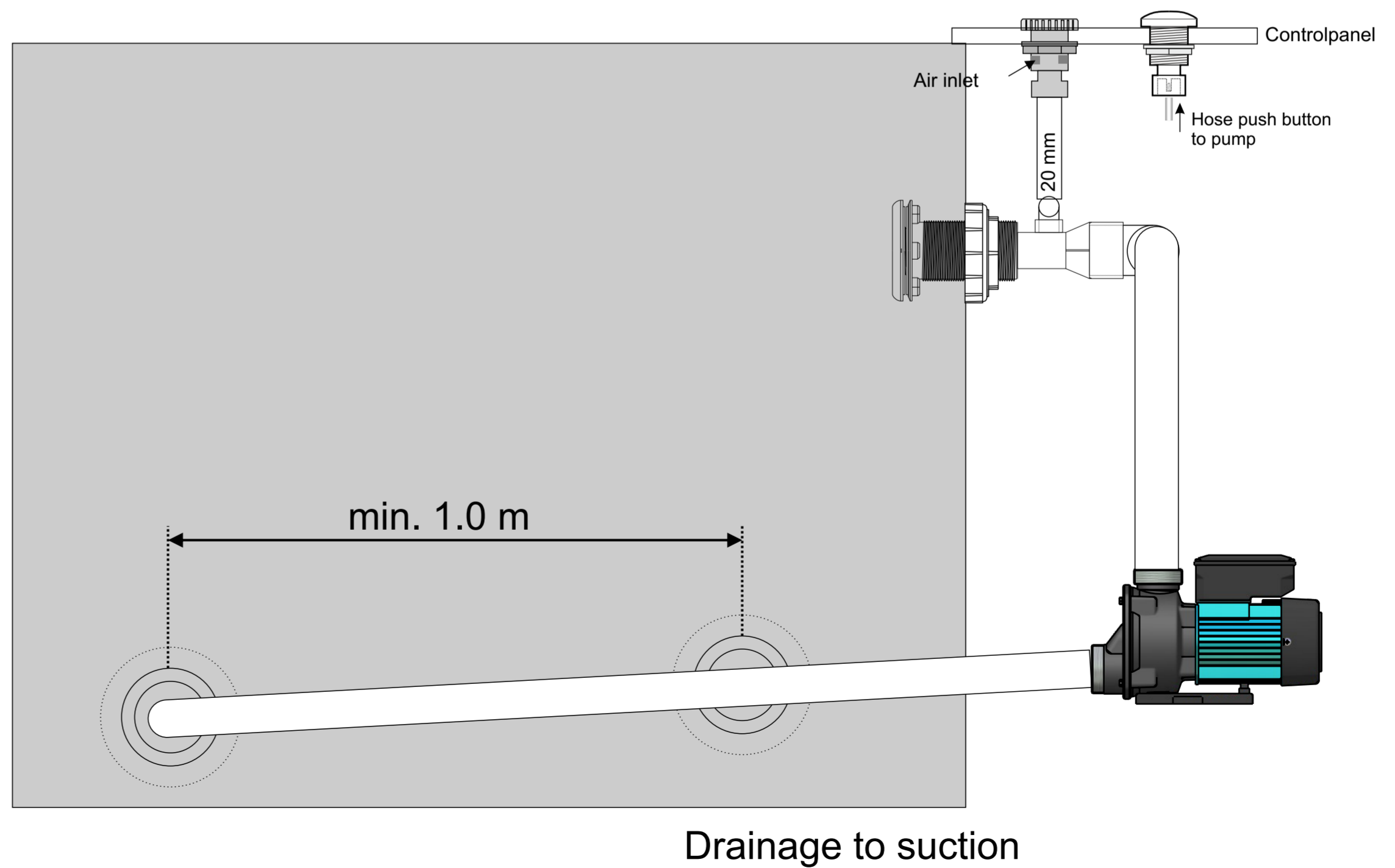


System overview
Side view suction
Pump - Nozzles- Air regulator

Version 1



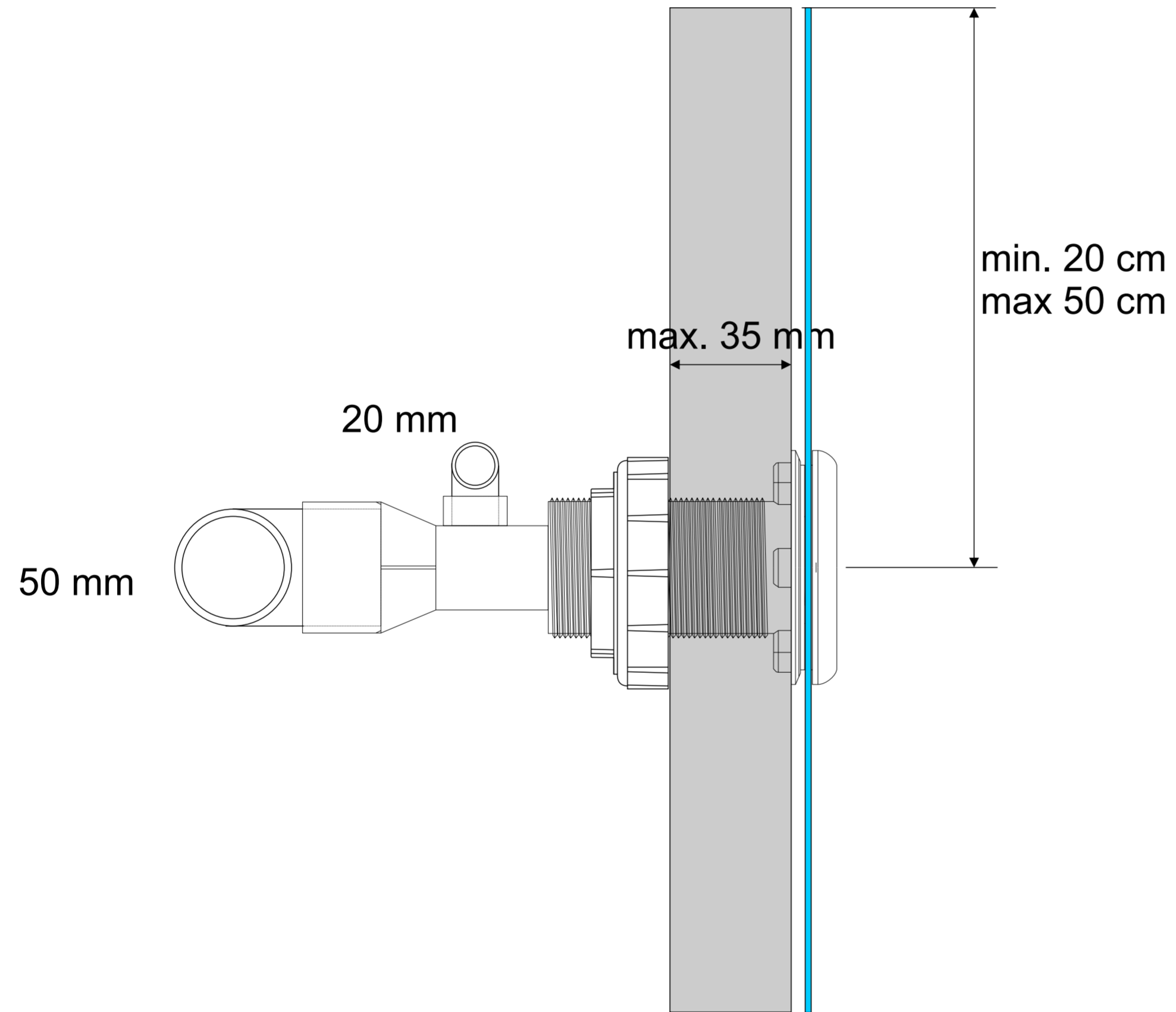
Version 2



Details nozzles / suction



Jet



Suction

