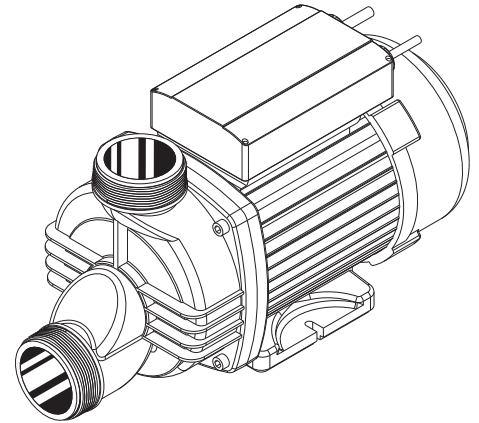


Description

- developed for continuous operation and long lifetime
- low working temperature
- low noise working
- high efficiency
- corrosion-resistant motor (Aluminium anodized)
- available in various performances:
0,6 kW, 0,75 kW, 0,9 kW, 1,1 kW, 1,5 kW
- complete drainage
- qualified for high use-temperature (max. 50°C)
- safe electrical break between water and motor
- use of carefully passed material, which contacts with water
- suction connection \varnothing 50 mm glue connection
- pressure connection: T-piece with 2 x \varnothing 32 mm glue connection



Technical equipment:

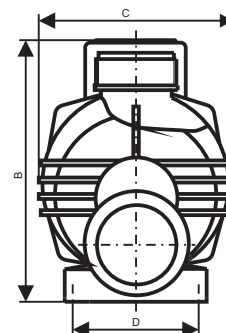
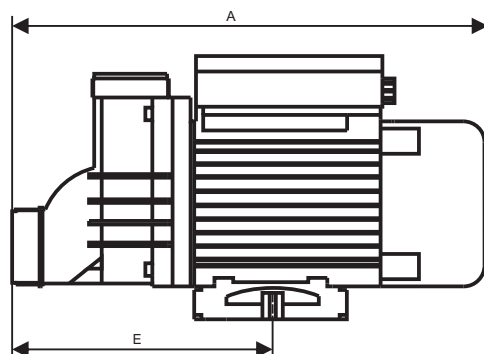
- vibrations reducing foot with rubber cushionp
- pump housing ABS with 20% fiber glass
- coal-ceramic slipping seal
- impulsion: squirrel cage motor 2800 U/min
- protection IP 55
- protection class I
- Isolation class: B
- built in thermo-protection
- pneumatic switch inside and hose fixing
- CE tested
- TÜV approved

Voltage and frequency:

- 220 V - 240 V 1 N ~ 50Hz: Standard
- 220 V - 240 V 1 N ~ 60Hz: upon request
- 110 V - 130 V 1 N ~ 50Hz: upon request
- 110 V - 130 V 1 N ~ 60Hz: upon request

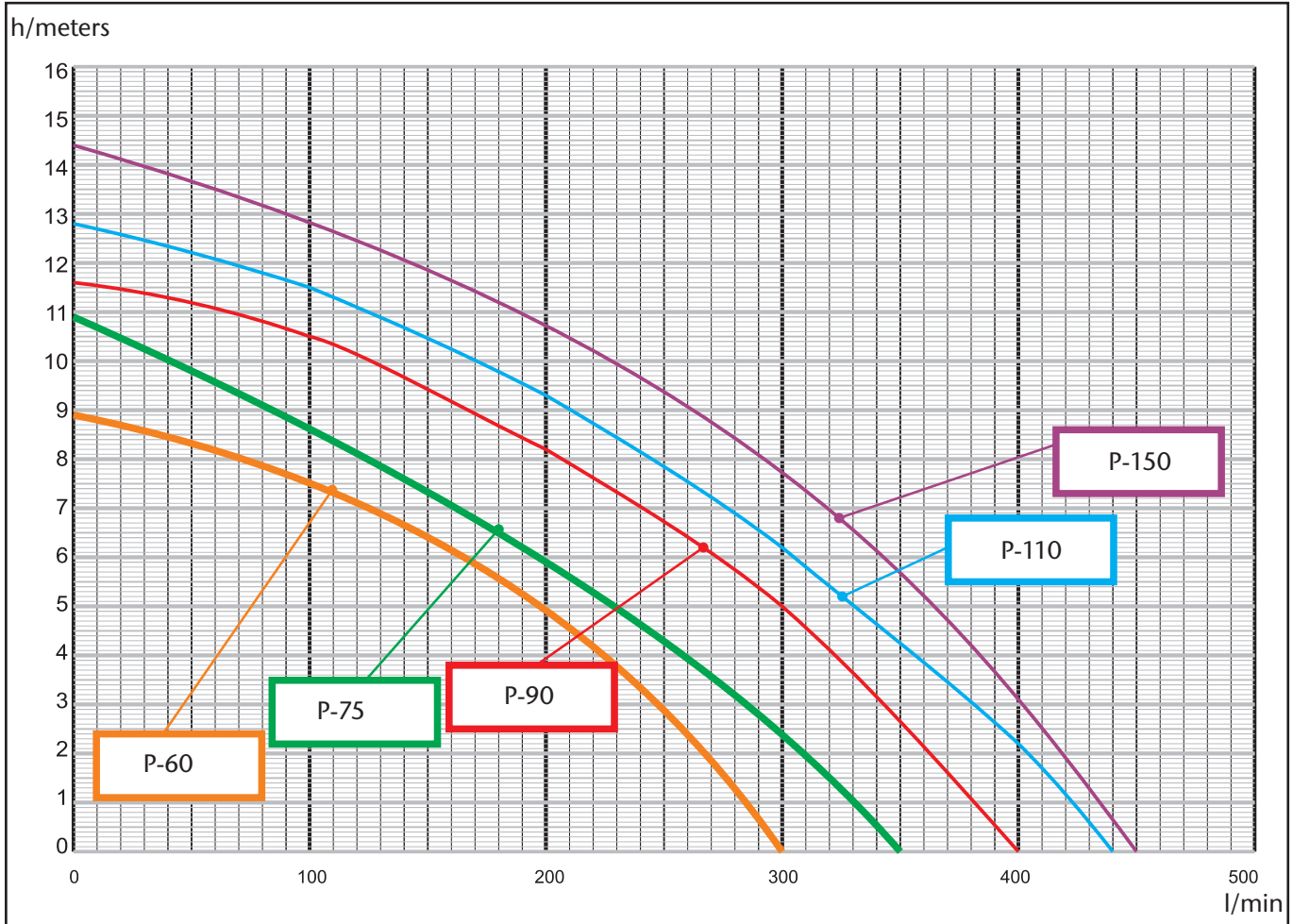
Technical Details

Type	A	B	C	D	E	Power	Druck	Flow	Gewicht
	mm	mm	mm	mm	mm	Watt	Meter	L / m	kg
P-60	343	192,5	146	98	200	600	9,8	300	6,3 kg
P-75	343	192,5	146	98	200	750	10,8	350	7,4 kg
P-90	343	192,5	146	98	200	900	11,6	400	8,15 kg
P-110	343	192,5	146	98	200	1100	12,8	440	8,15 kg
P-150	359	192,5	146	98	200	1500	14,5	450	9,5 kg



Data sheet

Performance curve



Recommended Accessories

Incudet fitting for connection :
Suction $\varnothing 50\text{mm}$, T-piece 2x $\varnothing 32\text{mm}$

Whirlpool hose $\varnothing 32\text{mm}$ white
Whirlpoolschlauch $\varnothing 32\text{mm}$ blau

Glue SYNPLAST 1,0kg
Cleaner SYNFLUID 1,0l

Art.code.: 050-001-32-00
Art.code.: 050-001-32-05

Art.code: 030-004-00-10
Art.code: 030-004-01-10

