

### Description

The slim design Aerospa PowerLED is especially bright and build very flat. Single colors and automatic change can be selected. The individual color in the color change mode can be frozen.

The low enegy consumption, the low temperature and the longevity makes the Aerospa PowerLED to the first class illumination in wet areas such as bath tubs or steam cabins.

Combined with the Aerospa Power-LED electronic up to 6 Power LED can be connected and directly controlled.

**Set 2 x Power LED (RGB) light with touch key**

Art.code. 665-030-10-00

**Set 2 x Power LED (RGB) light ABS with touch key**

Art.code. 665-029-10-00

Other application: Power LED in single color with constant current source

**Set Power LED white, chrome, with current source**

Art.Nr. 665-030-20-00



**Power LED (RGB) chrome**

Art.code 620-350-10-00

**Power LED (RGB) ABS chrome**

Art.code 620-352-10-00

### Technical Details

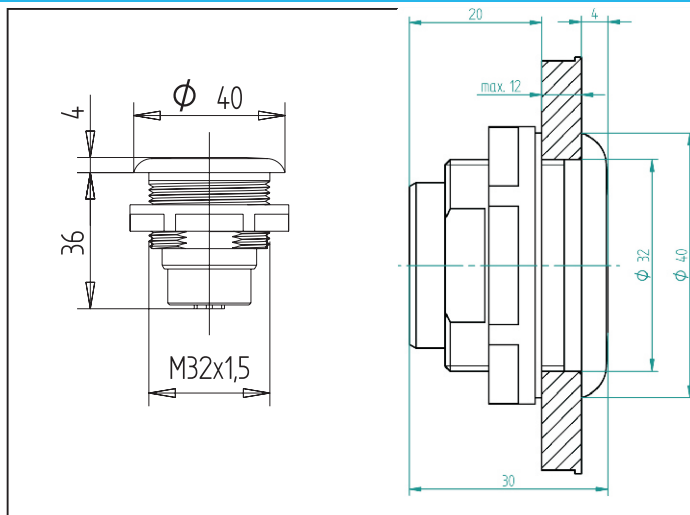
Dimensions:  $\varnothing$  40 x 30 mm  
 Connection: parallel 4adrig (ComA)  
 Protection: Frontside: IP X8, Backside: IP X5  
 Power consumption: 3 W  
 Working temperature: 0°C - 60 °C

color / brightness: equivalent 11W haloge light  
 R: 30 lm / 625nm  
 G: 30 lm / 530nm  
 B: 10 lm / 470nm

Installation  
 Drilling:  $\varnothing$ 32mm  
 Nut: SW38

**Important advice:**

Escutcheon and led can be changed from inside the tub or cabine!



### Accessoires

**Electronic Power-LAM 2 Power-LED (I<sup>2</sup>C / key)**

Electronic for PowerLED spot 230V 50 Hz, in box IPX5 with cable glands, for interface I<sup>2</sup>C or key control  
 Art.code. 701-033-05-51

**Touch pad T8 1 key**

Housing  $\varnothing$  36 mm drilling:  $\varnothing$  22 mm  
 Art.code. 510-110-01-00

