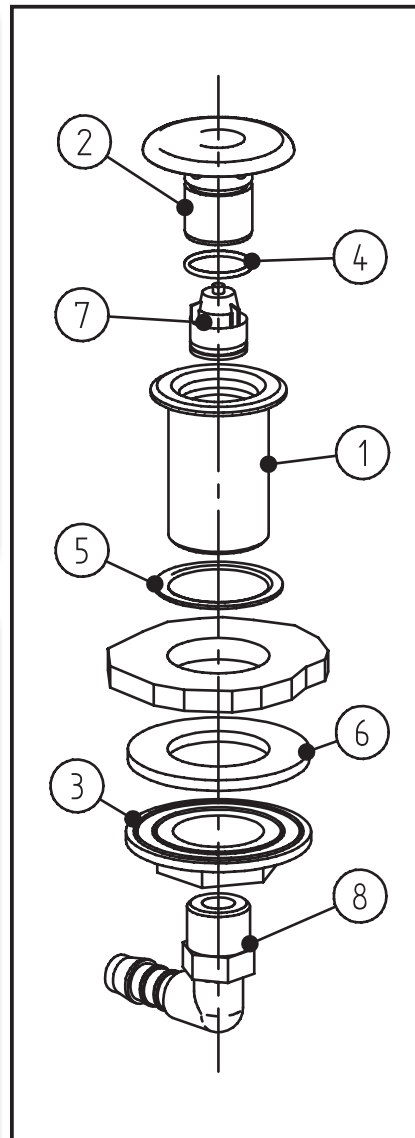


Jet P13 with jet head P13 and P13Z



Description of components:

2. Jet body	nickled brass	ArtCode: 210-106-01-0N
1. Jet head	chrome plated/ colour	
Jet head P13		ArtCode: 210-208-02-xx
Jet head P13Z (with 5 additional bore)		ArtCode: 210-208-03-xx
2. Hexagonal nut	brass	ArtCode: 214-049-11-01
4. Round seal	NBR70	ArtCode: 010-001-50-15
6. Silicone seal	silicone, transparently 60°	ArtCode: 011-027-34-10
6. Silicone seal	silicone, transparently 60°	ArtCode: 011-027-48-30
7. Valve with feather	plastic	ArtCode: 213-100-02-15
8. Connection for hose	3/8" - 10 mm ABS	ArtCode: 060-090-02-03

Jet body P13 with jet head P13 complete ArtCode: 661-030-00-xx
Jet body P13 with jet head P13Z complete ArtCode: 661-031-00-xx

