

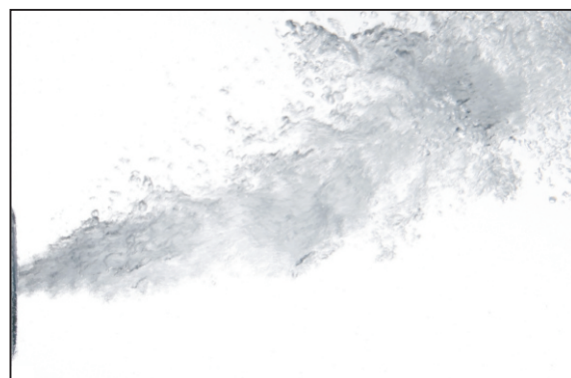
Description

The strong hydro massage jet Power-Jet convince because of the strong massage intensity and adjustable water stream.

With the simple Aersopa direct pipe system - the installation is really easy and reliable.

The water connection of the PowerJet is designed for 16 mm hose. The air inlet for 10 mm hose. Available in left, right and two-side connection.

In the development process Aersopa did care for a optimum drainage.



PowerJet complete - front plate chrome
with air connection left

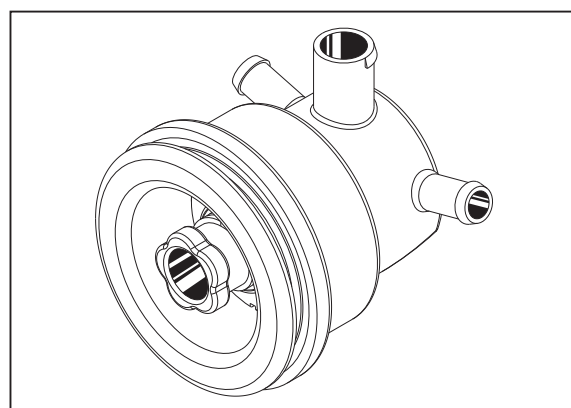
ArtNr. 661-004-01-xx

PowerJet complete - front plate chrome
with air connection right

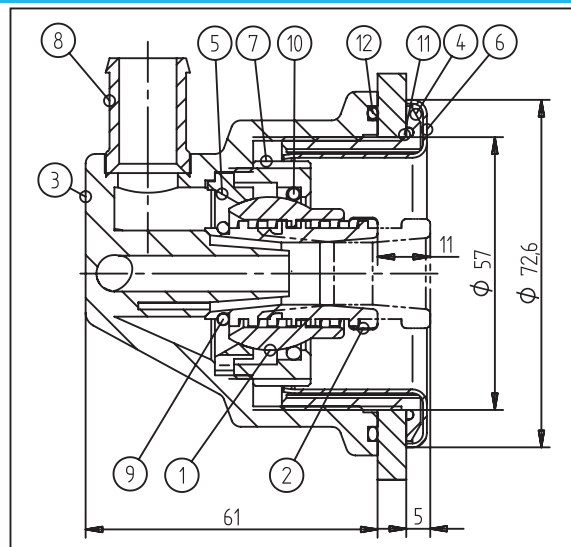
ArtNr. 661-004-02-xx

PowerJet complete - front plate chrome
with air connection two-side

ArtNr. 661-004-03-xx



Pos.	Description	Material
1	Ball Power Jet	ABS
2	Inner part Power Jet	ABS
3	Connection part Power Jet	PPO GF20
4	Nut PowerJet	ABS
5	Ball fixing Power Jet	ABS
6	Front plate Power Jet	Brass
7	Ball clamp Power Jet	ABS
8	Inlet $\varnothing 16$ Power Jet	PPO GF20
9	Seal	NBR70
10	Seal	NBR70
11	Seal	NBR70
12	Seal	NBR70



Water manifold 3 exits 16 mm
Water manifold 3 exits open 16 mm

ArtNr. 207-016-00-03
ArtNr. 207-016-05-03

Hose 10,0mm (9,5 x 2,0mm) white
Hose 16,0mm (15,5 x 2,0mm) blue

ArtNr. 050-002-10-03
ArtNr. 050-002-16-05

Metal clip 10mm
Metal clip 16mm

ArtNr. 020-204-00-10
ArtNr. 020-204-00-16

