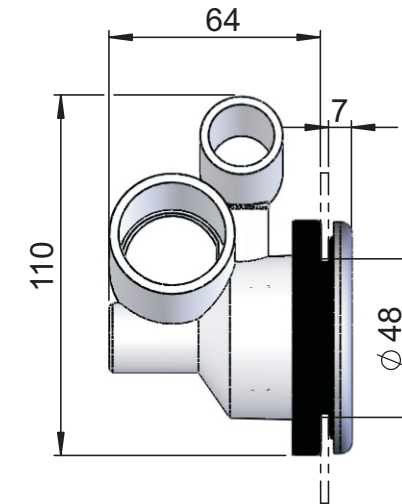
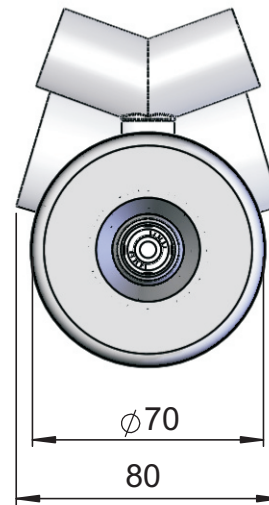
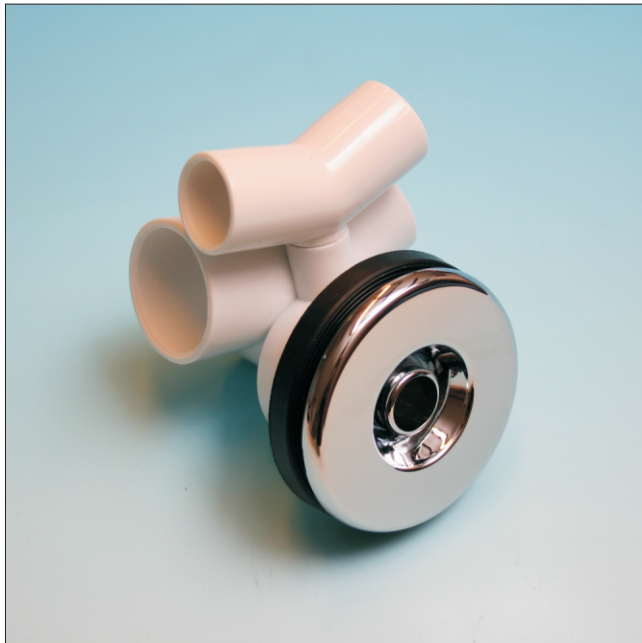


Data sheet

Water jet WS722

Index 1 - 20.7.2007



- Body material : PVC white
- Gasket : NBR
- Escutcheon : Galvano ABS - chrome-plated
- Jet ball : adjustable
- Art.Nr. : 661-014-32-00

