

Description

The micro jets F18C28K is the optimal solution for back and foot jets. The brass body is strong and reliable for installation in curves and small radius. The ball inside the jet allows adjusting the water stream that no water will splash out the tub - even when installed in a higher level. Because of the especially flat designed, the jet does not disturb the relaxing in the tub. The air connection is available in 2 sides or 1 side (left or right). With this it is possible to connect 2 or 3 jets in a group (material and time and space saving) For a fast and secure installation we recommend the Aerospa jet hose and clips. For a fast and secure installation we recommend the Aerospa jet hose and clips.

Water jet F18 C28K Chrome with air connection 2 side
Art.code: 661-015-03-00

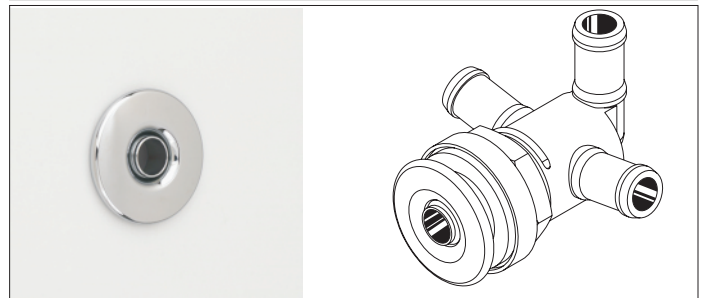
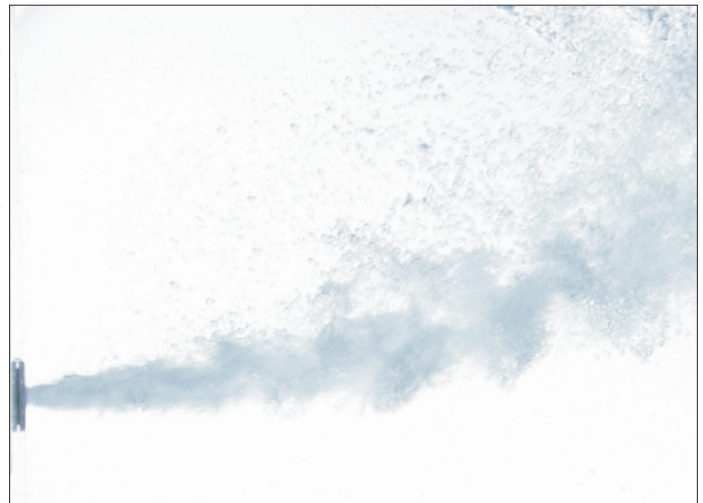
Water jet F18 C28K Chrome with air connection 1 side right
Art.code: 661-015-02-00

Water jet F18 C28K Chrome with air connection 1 side left
Art.code: 661-015-01-00

Water jet F18 C28K-K (ABS) Chrome with air connection 2 side
Art.code: 661-015-K3-00

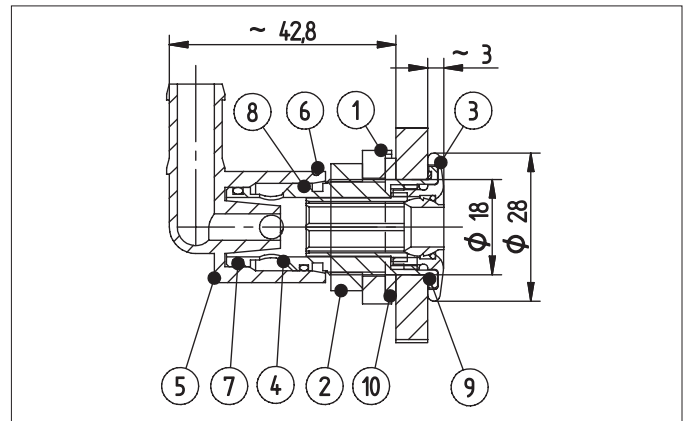
Water jet F18 C28K-K (ABS) Chrome with air connection 1 side right
Art.code: 661-015-K2-00

Water jet F18 C28K-K (ABS) Chrome with air connection 1 side left
Art.code: 661-015-K1-00



Technical Details

1. Washer	brass	ArtNr: 015-034-29-14
2. Nut	brass	ArtNr: 214-024-06-02
3. Jet head C28K	brass chrome	ArtNr: 500-211-0K-00
3. Jet head C28K-K	ABS chrome	ArtNr: 500-211-KK-00
4. Grundkörper	Messing vernickelt	ArtNr: 320-010-01-0N
5. Anchlusssteil	PA6 GF30 schwarz	ArtNr: 205-100-00-06
Anschlusssteil beidseitig		ArtNr: 205-100-00-07
Anschlusssteil rechts		ArtNr: 205-100-00-08
Anschlusssteil links		
6. Clip	stainless steel	ArtNr: 025-006-01-15
7. O-seal	NBR70	ArtNr: 010-001-20-16
8. O-seal	NBR70	ArtNr: 010-001-41-16
9. O-seal	NBR70	ArtNr: 010-001-80-15
10. Silicone-seal	Si60, transparent	ArtNr: 011-018-26-25



Recommended Accessories

Jet hose 10,0 mm (9,5 x 2,0 mm)Pic.(1)
Art.Nr:050-002-10-03

Metal clip 10 mm (2)
Art.Nr: 020-204-00-10

Water manifold 3 exits open version (3)
(M,10,10,10,Z) Art.code 207-010-15-03

Water manifold 3 exits one side closed (4)
(M,10,10,10G) Art.Nr. 207-010-08-03

By using different than Aerospa tested products, the result is exemption from liability.

