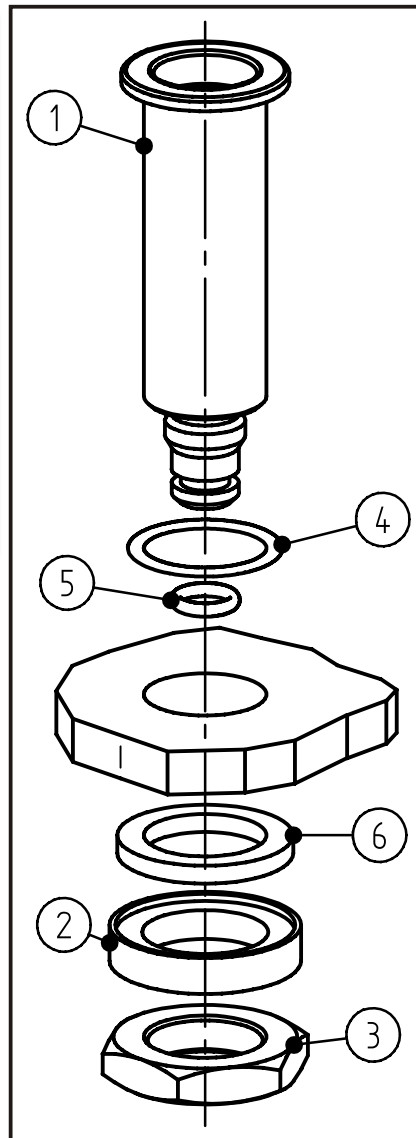


Jet body P16L and P16K



Description of components:

- | | | |
|---------------------------------------|-----------------------------|-------------------------|
| 1. Jet body | nickle plated brass | Art.Code: 210-108-03-6N |
| Jet body long (max. thickness 30 mm) | | Art.Code: 210-108-03-2N |
| Jet body short (max. thickness 12 mm) | | |
| 2. Washer | brass | Art.Code: 015-034-00-00 |
| 3. Hexagonal nut | brass | Art.Code: 214-024-05-01 |
| 4. Round seal | NBR70 | Art.Code: 010-001-60-15 |
| 5. Round seal | NBR70 | Art.Code: 010-000-60-16 |
| 6. Silicone seal | silicone, transparently 60° | Art.Code: 011-016-23-25 |

Jet body P16 L complete ArtCode: 500-000-00-06
 Jet body P16 K complete ArtCode: 500-000-00-07

