

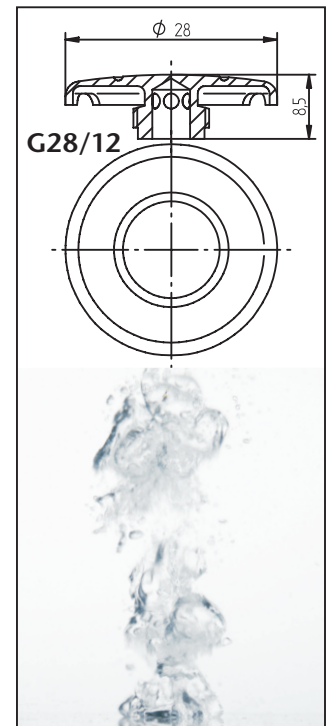
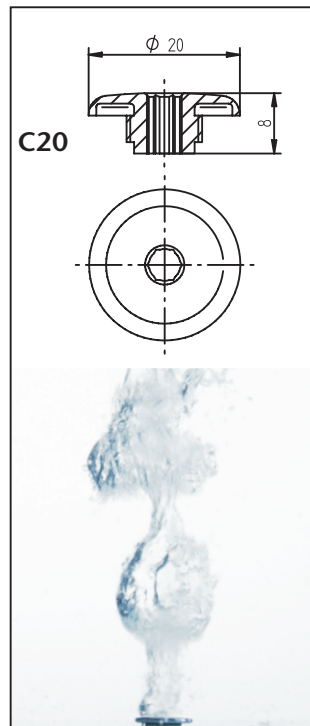
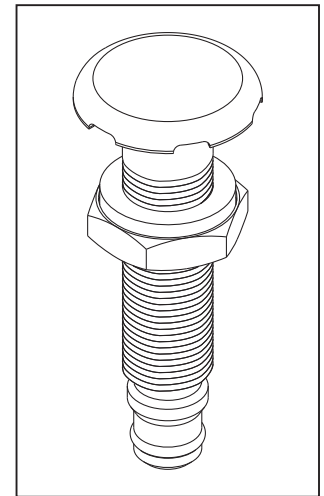
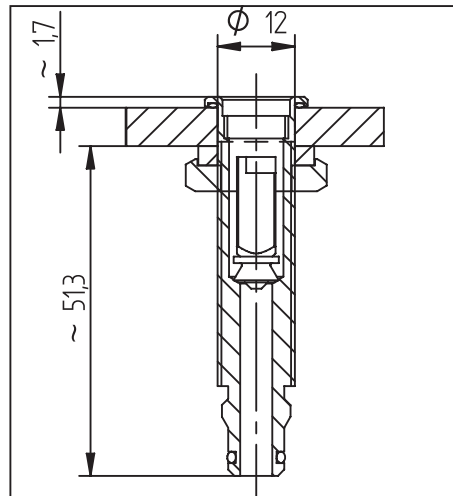
Description

The air jets P12 are equipped with a gravity none return valve. The lip seal on the brass valve piece seals reliable if installed vertical. The body and the nut are made of brass and cares for stability. The O-seal on the bath tub side seals dependable. the silicon seal outside makes a continuous fit sure. The various jet heads create a different bubble effect and a different appearance.

Possible bath tub thickness

P12K (short): 1 to 10 mm

P12L (long): 1 to 36 mm



Recommended accessories

Elbow PO1-seitig 10 mm
T-piece PO2-seitig 10 mm

Art.Nr: 205-100-00-12
Art.Nr. 205-100-00-13

Hose 10,0 mm white

Art.Nr: 050-002-10-03

Metal clip 10 mm
Metal clip 12 mm

Art.Nr: 020-204-00-10
Art.Nr: 020-204-01-12

