

**Description**

The strong Aerospa blower series E distinguishes itself with a compact design. The low noise disappear within the noise of the bubbles which flow into the water.

The result of the development especially concerning low-cost manufacturing and the resulting price will convince you.

The included pneumatic switch makes it simple to connect your pneumatic button.

The exit of the blower  $\varnothing$  32 mm fits perfectly to the Aerospa blower hose.



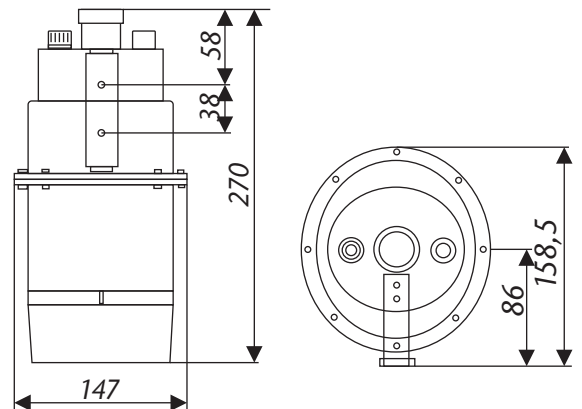
Model	Power	Voltage	Art.code.
E400	400 W	220-240V / 50 Hz	610-005-04-00
E600	600 W	220-240V / 50 Hz	610-005-06-00
E800	800 W	220-240V / 50 Hz	610-005-08-00

Other voltage: 130V / 60Hz (upon request)

Model	Current	Max Pressure	Air Volume	Noise Level
	230V	Mpa	m/min	dB
E.400	2	0,015	1,5	<68
E600	2,8	0,02	1,8	<70
E800	3,6	0,025	2,5	<73

Dimensions: 290 x 175 x 150 mm (l x w x h)

Wight: 2,4 kg



**Recommended Accessories**

**Blower hose with cuffs**

Metal-reinforced fabric tube Material: PVC with cuffs on both sides for blower and manifold

Blower hose white 0,5 m	050-005-32-05
Blower hose white 1,0 m	050-005-32-10
Blower hose white 1,5 m	050-005-32-15
Blower hose white 2,0 m	050-005-32-20



**Metal clip for blower hose**

Clip for blower hose 32 mm 020-202-00-32

