

Description

The Aerospa air regulator ASZ Komfort is unmatched concerning its language of shapes and haptic.

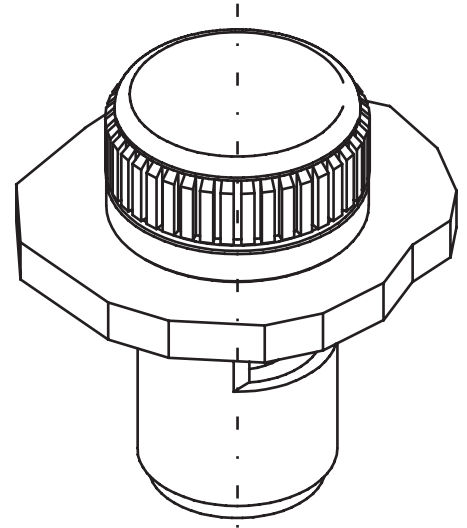
Manufactured out of solid brass and chrome plated at the visible face.

It is smooth-running even with soapily and tender fingers. This supports the reliability and quality of the complete Whirlpool.

The air inlet is placed in the quiet area - under the bath tub surface.

The none return valve underneath prevent water coming out of the air inlet.

Air regulator Komfort chrome
Art.code. 710-003-00-00



Technical Details

- | | |
|---|-------------------------------|
| 1. Hexagonal nut
brass | <i>ArtCode: 012-013-00-01</i> |
| 2. Inner part
Brass | <i>ArtCode: 210-100-00-62</i> |
| 3. Jet body
nickel plated brass (blank = <i>ArtCode: 210-100-00-63</i>) | <i>ArtCode: 220-501-01-0N</i> |
| 4. Upper part escutcheon
chrome plated brass / colour | <i>ArtCode: 220-501-00-xx</i> |
| 5. Lower part
chrome plated brass / colour | <i>ArtCode: 220-500-04-xx</i> |
| 6. Tightening pin
spring steel | <i>ArtCode: 025-021-20-10</i> |
| 7. Compression spring
spring steel | <i>ArtCode: 015-025-01-00</i> |
| 8. Check valve
plastic | <i>ArtCode: 213-100-01-20</i> |
| 9. Snap ring
stainless steel | <i>ArtCode: 025-010-10-00</i> |

