

Description

The micro jet F18C28V is the solution for back- and footjet installation. The brass jet body supplies a trustfull and reliable static construction. Especially in curves as they are in the back or foot area of bath tubs.

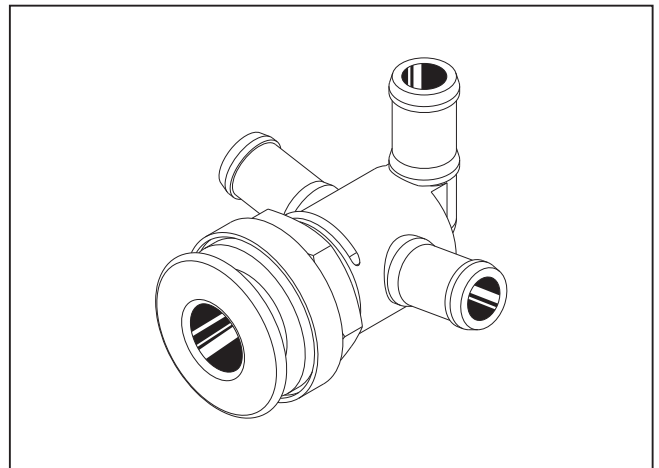
The intensiv water stream offers a optimum massage in teh special body areas. The especially flat desigend of the jet head does not bother while relaxing. The air connection is available in throughfare version (two sides) in left or right connection. Jets can be combined to groups - material and space saving. For a faste and secure installation we recommend the Aerospa jet hose and the Aerospa clips.



Water jet F18 C28V chrome
with air connection 2 side
Art.code: 661-016-03-00

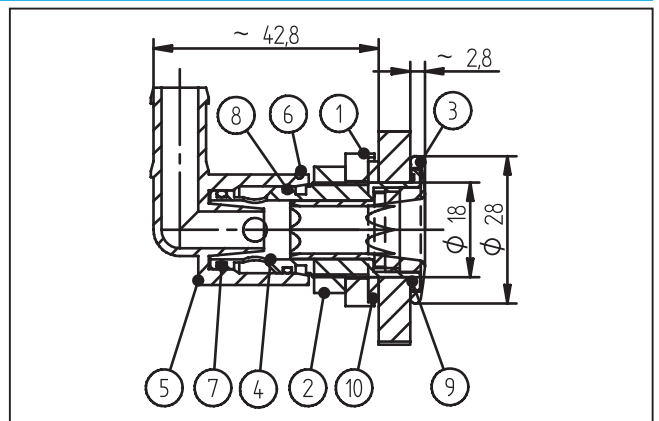
Water jet F18 C28V chrome
with air connection right
Art.code: 661-016-02-00

Water jet F18 C28V chrome
with air connection left
Art.code: 661-016-01-00



Technical Details

1. Limpet washer	brass	ArtCode: 015-034-29-14
2. Hexagonal nut	brass	ArtCode: 214-024-06-02
3. Jethead C28V	brass chromed / color	ArtCode: 210-203-11-xx
4. Body	brass nickeled	ArtCode: 210-107-01-1N
5. Connecting part	PA6 GF30 black	
Connecting part both sides		ArtCode: 205-100-00-06
Connecting part right		ArtCode: 205-100-00-07
Connecting part left		ArtCode: 205-100-00-08
6. Bail	stainless steel	ArtCode: 025-006-01-15
7. O-Ring seal	NBR70	ArtCode: 010-001-24-18
8. O-Ring seal	NBR70	ArtCode: 010-001-41-16
9. O-Ring seal	NBR70	ArtCode: 010-001-80-15
10. Silicone seal	Si60, transparent	ArtCode: 011-018-26-25



Recommended Accessories

Air jet hose 10,0 mm (9,5 x 2,0 mm) white	Art.code: 050-002-10-03
Metal clip 10 mm	Art.code: 020-204-00-10

